

CATER-COOK

3 Tier Service Trolley - Assembly Instructions

Models: CK8862



Caterkwik Ltd

The Lakeland Catering Centre

Newlands

Ulverston

Cumbria

LA12 7QQ

01229 480001








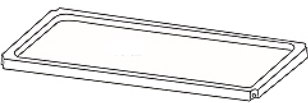



info@caterkwik.co.uk



3 Tier Service Trolley - Assembly Instructions

Assembly Parts List



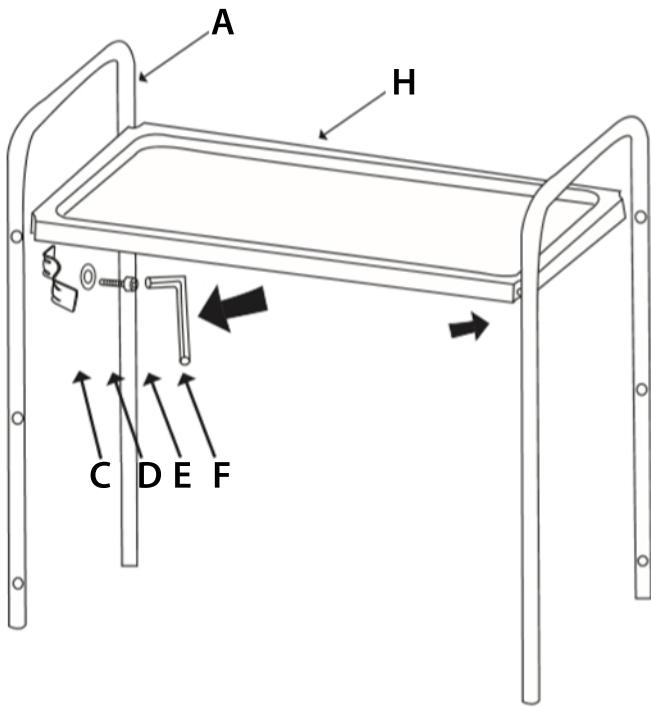
Parts List	Quantity	Image	Reference
Trolley Frame	2		A
Nut	4		B
Securing Bracket	12		C
Washer	12		D
Screw	12		E
Allen Key	1		F
Castor Guard	4		G
Mid Frame	3		H
Castors (braked)	2		I
Castors (unbraked)	2		J
Castor Washers	4		K

3 Tier Service Trolley - Assembly Instructions

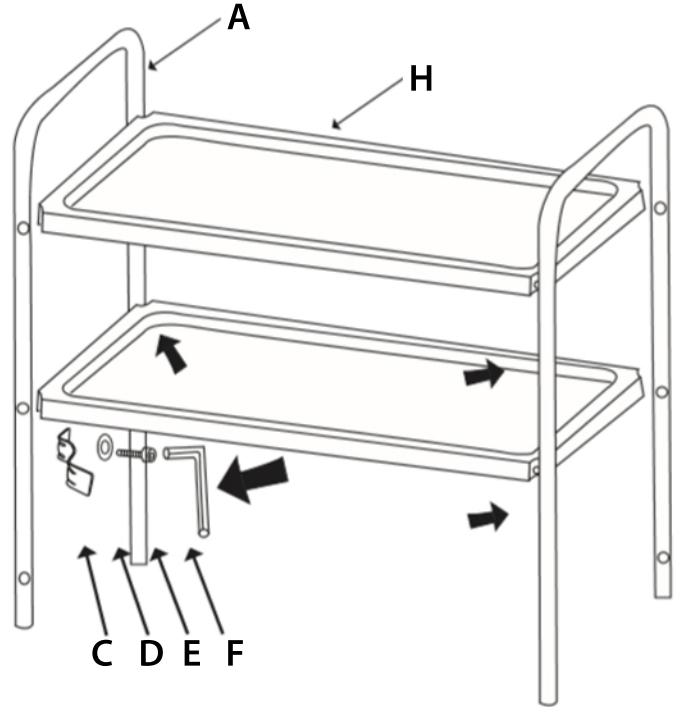
Assembly Instructions



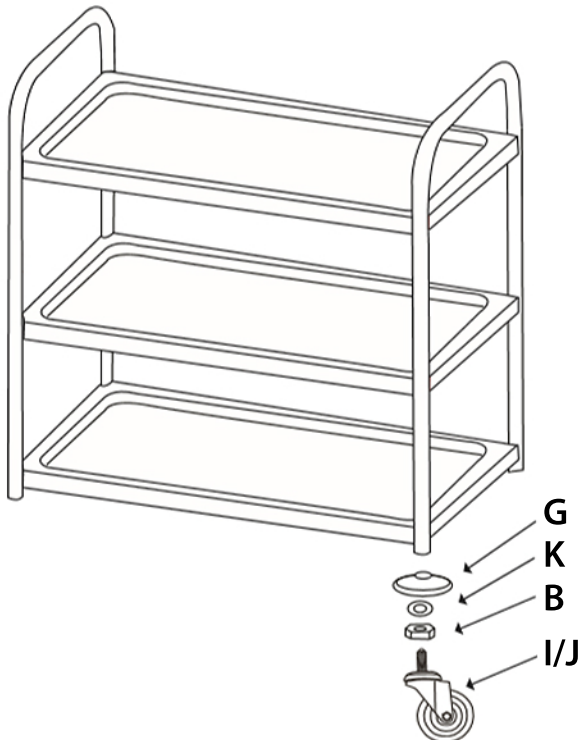
Step 1



Step 2



Step 3



Step 4

